

REV. Status

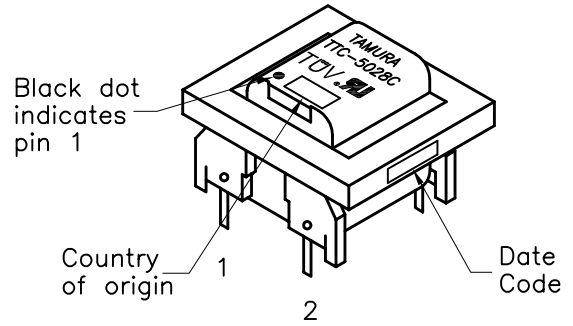
REVISION -
08/12/04 MP

REVISION A
ADDED "C"
CLASS TO
MARKING NOTE.
ADDED RoHS
05/16/06 MP



MODEL NUMBER
TTC-5028

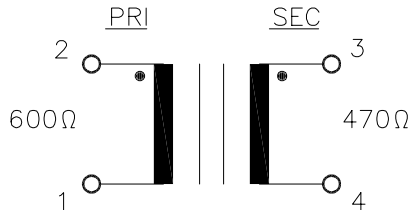
- A. Electrical Specifications (@ 25 ° C)
1. Pri Source Impedance; 600Ω
 2. Sec Load Impedance; 470Ω
 3. Operating Level; -20dBm to +4dBm
 4. Insertion Loss;
2.5dBMAX @ 1KHz, 0dBm, DC 30mA
 5. Frequency Response (relative to 1 KHz)
±4.0dB 300Hz to 600Hz @ 0dBm
±1.0dB 600Hz to 3.5KHz @ 0dBm
 6. Longitudinal Balance;
60dB MIN @ 60Hz to 1KHz
40dB MIN @ 1KHz to 4KHz
 7. DC Resistance;
(1-2)= 92Ω ±10%
(3-4)= 120Ω ±10%
 8. Turns Ratio; (1-2) : (4-3) = 1 : 1.00 ±2%
 9. Dielectric Strength;
1875Vrms 1 second @ Pri to Sec
 10. Total Harmonic Distortion:
0.5% MAX @ 300Hz to 3.5KHz, 0dBm, DC0mA



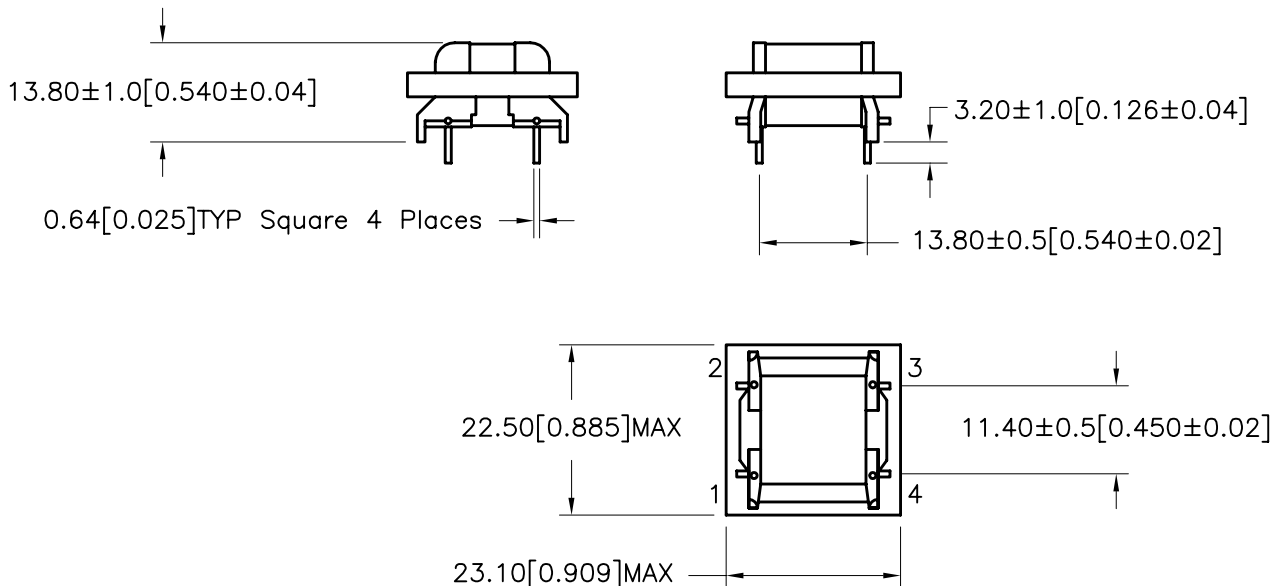
B. Marking; TTC-5028C, TAMURA, date code and country of origin "C" designates UL approved family classification.

C. Safety; UL1950 3rd Edition, UL60950, EN60950

D. Schematic Diagram;



E. Mechanical Specifications;



PREPARED BY:

K. BRENNAN

ENGINEER:

M. PITCHAI

QUALITY CONTROL:

T. CLEM

APPROVED:

Y. SEKIGUCHI

DWG CONTROL NO.
P-A1-13246
ACAD\TTC\A1132461.DWG

REV
A

MODEM COUPLING
TRANSFORMER

TAMURA CORPORATION OF AMERICA
43352 BUSINESS PARK DRIVE, TEMECULA, CA. 92590-6624
(951) 699-1270 FAX 9516769482

TTC-5028

MODEL SPECIFICATION

DIM: mm [In] SCL: 1/1 SH: 1 OF 1

PROPRIETARY NOTICE: THIS DRAWING PRINT OR DOCUMENT AND SUBJECT MATTER DISCLOSED HEREIN ARE PROPRIETARY ITEMS TO WHICH TAMURA RETAINS THE EXCLUSIVE RIGHT OF DISSEMINATION, REPRODUCTION, MANUFACTURE AND SALE. THIS DRAWING, PRINT OR DOCUMENT IS SUBMITTED IN CONFIDENCE FOR CONSIDERATION BY THE RECIPIENT ALONE UNLESS PERMISSION FOR FURTHER DISCLOSURE IS EXPRESSLY GRANTED IN WRITING.